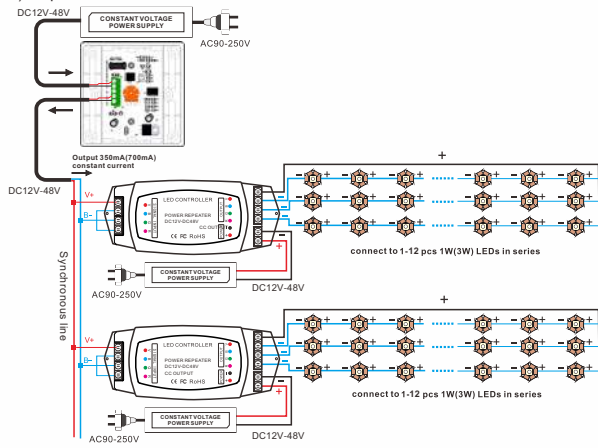


3) Repeaters connected to 1CH LED Wall Dimmer:



7. Exception Handles

Malfunction	Causation	Solution
No Light	<ol style="list-style-type: none"> 1. No power provided 2. Incorrect anode and cathode 3. Wrong connection 	<ol style="list-style-type: none"> 1. Check the socket 2. Modify the connection 3. Check connection
Brightness of the LED is not even	<ol style="list-style-type: none"> 4. LEDs at each channel are not in series 5. LED quantity in series is beyond capacity 6. Input voltage is lower than the total voltage of all the LEDs in series 	<ol style="list-style-type: none"> 4. Connect LEDs in series 5. Reduce the LED quantity 6. Replace a suitable power supply

8. After-Sales

From the day you purchase our products within 3 years, if being used properly in accordance with the instruction, and quality problems occur, we provide free repair or replacement services except the following cases:

1. Any defects caused by wrong operations.
2. Any damages caused by inappropriate power supply or abnormal voltage.
3. Any damages caused by unauthorized removal, maintenance, modifying circuit, incorrect connections and replacing chips.
4. Any damages due to transportation, breaking, flooded water after the purchase.
5. Any damages caused by earthquake, fire, flood, lightning strike etc force majeure of natural disasters.
6. Any damages caused by negligence, inappropriate storing at high temperature and humidity environment or near harmful chemicals.
7. Product has been updated.

LED Constant Current Power Repeater User Manual



(Please read through this manual carefully before use)

1. Brief Introduction

LED constant current power repeater is specially designed for our single color and RGB controllers to expand power output, it accepts PWM signal, double or three times more power can be reached by every one more power repeater, and in theory power repeater can be added unlimitedly. Also, the power repeater of constant voltage model and constant current model could be connected freely, suitable for synchronized controlling on different LED lamps.

2. Specifications

Mdoel	Constant current 350mA	Constant current 700mA
Input voltage	DC12V-48V	DC12V-48V
Max load current	350mA/CH×3	700mA/CH×3
Driving LEDs	1-12pcs 1W LEDs	1-12pcs 3W LEDs
Output signal	CC PWM	CC PWM
Dimension	L125×W45×H36(mm)	L125×W45×H36(mm)
Weight (G.W)	115g	115g

3. Basic Features

1. Total 3 channels, 350mA (700mA) per channel.
2. Wide voltage from DC12V-48V. can drive 1-12pcs 1W (3W)hi-power LEDs.
3. Accepts PWM signal.
4. Unlimited quantities of power repeaters can be connected together to run unlimited quantities of LED's.
5. Maximum length from controller to repeater can be 500meters.

6. Power loss memory function.
7. 3000V optoelectronic isolation.

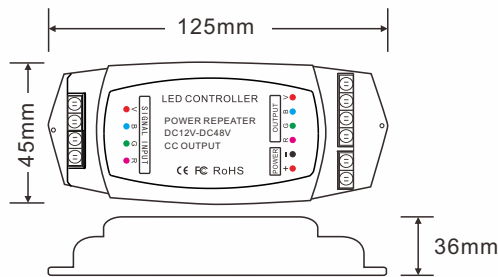
4. Safety warnings

Please don't install this controller in lightning, intense magnetic and high-voltage fields.

1. To reduce the risk of component damage and fire caused by short circuit, make sure correct connection
2. Always be sure to mount this unit in an area that will allow proper ventilation to ensure a fitting temperature.
3. Check if the voltage and power adapter suit the controller (please select DC12-48V power supply with constant voltage)
4. Don't connect cables with power on; make sure a correct connection and no short circuit checked with instrument before power on.
5. Please don't open controller cover and operate if problems occur.

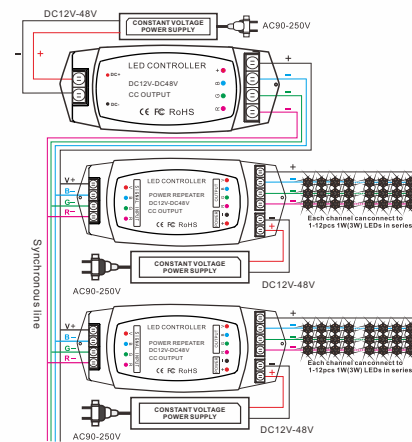
The manual is only suitable for this model; any update is subject to change without prior notice.

5. Dimensions



6. Conjunction Diagram

- 1) Conjunction diagram, working with our power repeater, the controller and the amplifier can share the same power supply



- 2) With power amplifier the controller and the amplifier can share the same power supply:

