

7. After-Sales

From the day you purchase our products within 3 years, if being used properly in accordance with the instruction, and quality problems occur, we provide free repair or replacement services except the following cases:

- 1.Any defects caused by wrong operations.
- 2.Any damages caused by inappropriate power supply or abnormal voltage.
- 3.Any damages caused by unauthorized removal, maintenance, modifying circuit, incorrect connections and replacing chips.
- 4.Any damages due to transportation, breaking, flooded water after the purchase.
- 5.Any damages caused by earthquake, fire, flood, lightning strike etc force majeure of natural disasters.
- 6.Any damages caused by negligence, inappropriate storing at high temperature and humidity environment or near harmful chemicals.
- 7.Product has been updated.

DMX512 signal amplifier
User Manual



(Please read through this manual carefully before use)

1. Brief Introduction

Welcome to use the DMX512/RDM signal amplifier, which is developed for shaping and enlargement the attenuated of the DMX512/1990/RDM signal after the long-distance transmission. It has eight output channels; there is optical isolation between the input and output, each interface has an independent electrical isolation, there is wrong wiring protection at DMX/RDM input and output port, to avoid the interference to the DMX512 control system, guarantee the DMX/RDM signal can transmit to all the lighting control equipment, and improving the overall reliability of digital lighting control system.

2. Specifications

Mode	DMX512/RDM Signal Amplifier
Input voltage	AC100-240V 50/60Hz
Input signal	DMX512/1990/RDM
Output signal	DMX512/1990/RDM
Input/output channel	One input channel, 8 output channels
Input/output isolated voltage	3000VDC
DMX512/RDM signal socket	XLR
Working Temp	-20°C~55°C
Product Dimension	L485 × W76 × H44 (mm)
Weight(G.W)	

3. Basic Features

1. AC100-240V input.
2. Optical isolation between the input and output port.

3. Input and output standard DMX512/1990/RDM signal.
4. Amplify the DMX512/1990/RDM signal and extend signal transmission distance.
5. One input channel, eight independent electrical isolation signal output channels.
6. 3000VDC, Isolation voltage 3000VDC.
7. Wrong wiring protection at DMX input and output port.

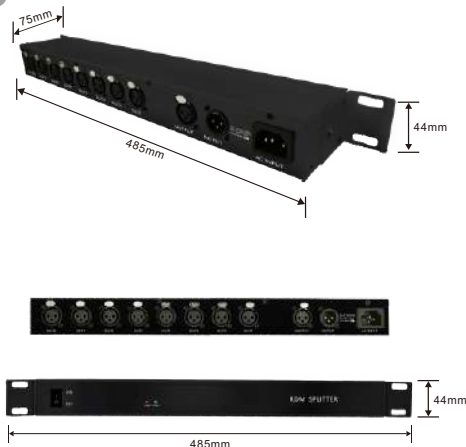
4. Safety warnings

Please don't install this controller in lightening, intense magnetic and high-voltage fields.

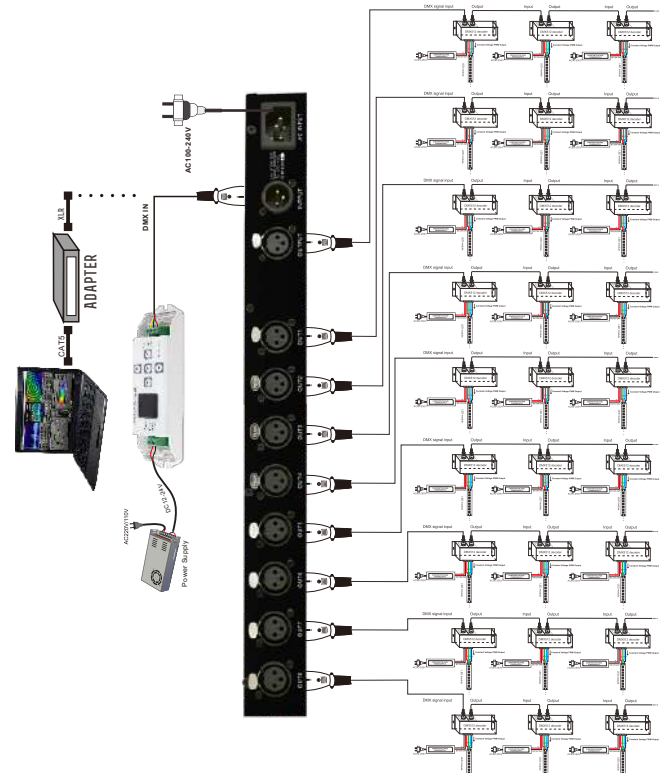
- 1.To reduce the risk of component damage and fire caused by short circuit, make sure correct connection
- 2.Always be sure to mount this unit in an area that will allow proper ventilation to ensure a fitting temperature.
- 3.Check if the voltage suit the controller
- 4.Don't connect cables with power on; make sure a correct connection and no short circuit checked with instrument before power on.
- 5.Please don't open controller cover and operate if problems occur.

The manual is only suitable for this model; any update is subject to change without prior notice.

5. Dimensions



6. Conjunction Diagram



Note: When using 818-RDM master to control several DMX slave devices, according to DMX512 protocol, a small metal film resistor of 90~120 Ω/1/4W should be welded at the end of each DMX signal line (between signal + and signal-).