

7. After-Sales

From the day you purchase our products within 3 years, if being used properly in accordance with the instruction, and quality problems occur, we provide free repair or replacement services except the following cases:

- 1.Any defects caused by wrong operations.
- 2.Any damages caused by inappropriate power supply or abnormal voltage.
- 3.Any damages caused by unauthorized removal, maintenance, modifying circuit, incorrect connections and replacing chips.
- 4.Any damages due to transportation, breaking, flooded water after the purchase.
- 5.Any damages caused by earthquake, fire, flood, lightning strike etc force majeure of natural disasters.
- 6.Any damages caused by negligence, inappropriate storing at high temperature and humidity environment or near harmful chemicals.

SPI Signal Amplifier User Manual



(Please read through this manual carefully before use)

1. Brief Introduction

Welcome to use the SPI signal amplifier. This signal amplifier is designed for amplifying SPI signal. It solves the problem of insufficient driving capability or short transmission distance of SPI signal. It is compatible with SPI controller designed by different factories, pixel strips with various IC, and SPI signal with single wire or dual wire.

2. Specifications

Model	SPI Signal Amplifier
Input Voltage	5V-24V
Input Signal	SPI signal
Output Signal	8 channel (single wire); 4 channel (dual wire) amplifier output
Max Load Current	10A
Max output power	50W(5V)/120W(12V)/240W(24V)
Working temperature	-20°C~55°C
Product Dimension	L135 × W30 × H30.2 (mm)
Weight	66g

3. Basic Features

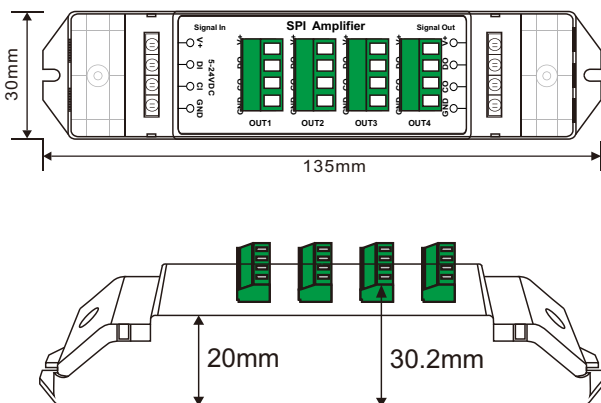
1. DC 5V-24V input, suitable for LED controller and lamps with different voltages.
2. The input and output of the signal port are protected.
3. 1 channel SPI signal input, 4 channel SPI signal amplification output.

4. The amplified signal will be more stable. It can improve the signal driving capability and extend the signal output distance.
5. You can use multiple units consecutively to amplify the signal.

4. Safety warnings

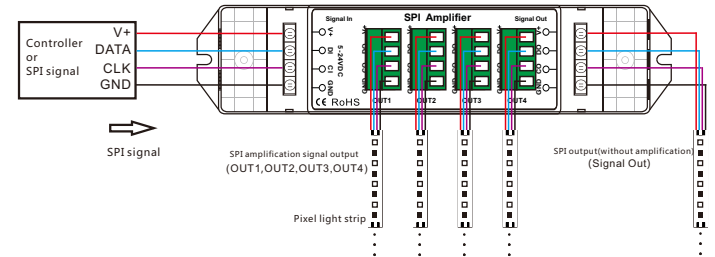
1. In order to use it properly and safely, please read user's manual carefully before installation.
 2. Please don't install this unit in lighting, intense magnetic and high-voltage fields.
 3. To reduce the risk of component damage and fire caused by short circuit, make sure correct connection.
 4. Always be sure to mount this unit in an area that will allow proper ventilation to ensure a fitting temperature.
 5. Don't connect cables with power on; make sure a correct connection and no short circuit checked with instruction before power on.
 6. Please don't repair by yourself if problems occur.
- The manual is only suitable for this model; any update is subject to change without prior notice.

5. Dimensions

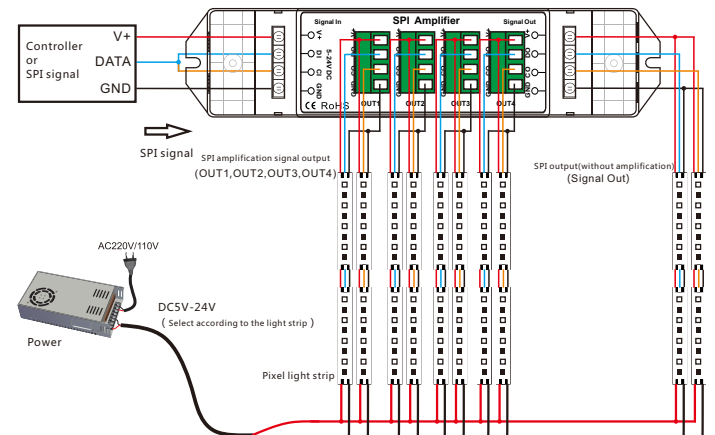


6. Conjunction Diagram

(1). 4 channel amplifier output Wiring scheme for four wire led strips (signal cables include DATA cables and CLK cables)



(2). 8 channel amplifier output wiring scheme for three wire led strips (signal cables only include DATA cables)



Note: When the power of the LED strips is too large, it can be powered separately. The LED strips are separately connected to the power supply, and the V+ of the amplifier is not connected.