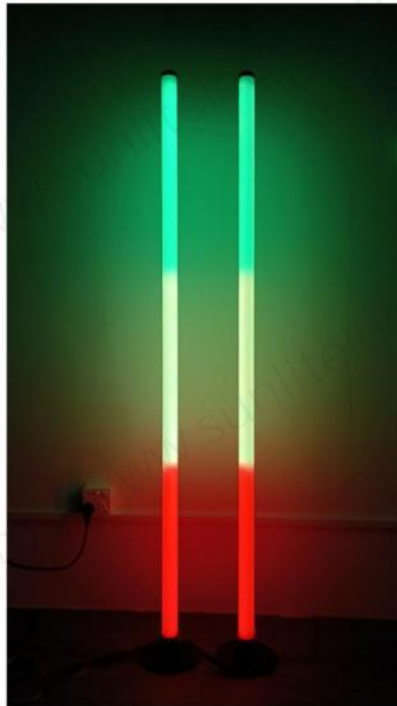


Shenzhen Suntech Company Limited

Product Specification

Product name: 360 Degree Column LED Rainbow Tube Light

1、 Product Picture



Video link: <https://www.youtube.com/shorts/4Szn1jSL31I>

2、 Product Description

(1)LED rainbow tube light is a double-layer milky white PC tube designed with 360-degree light, which makes the light more delicate and not dazzling, and the light is even.

(2)LED rainbow tube light adopts high-brightness and super high-quality LED. LED rainbow tube light is a kind

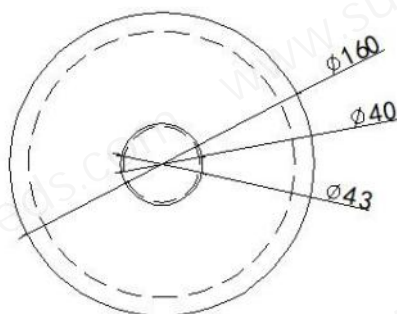
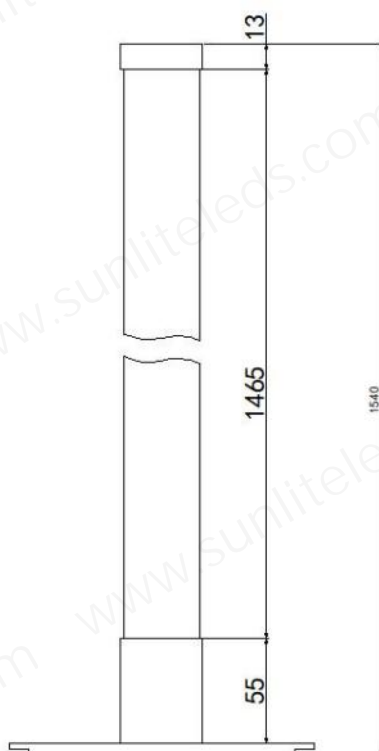
of indoor and outdoor landscape decorative light, which is mainly suitable for hanging on branches, under eaves and any objects that can be hung in indoor buildings.

(3)LED rainbow tube light is easy to install, and the LED rainbow tube has high brightness, dazzling color and low power consumption. It can be connected arbitrarily according to the environment, and the flickering effect can be freely set according to your requirements. The main colors are RGB and RGBW.

(4)LED rainbow tube light can be made into two external control modes: DMX512 and TTL.

(5)LED rainbow tube light shell is mainly made of imported PC material. The main advantages of PC materials: high-quality heat resistance, good transparency and high impact resistance and other physical and mechanical properties, and has the advantages of high light transmittance, corrosion resistance, UV resistance, etc.

3、 Product Dimensions



4、 Product Specification (Customization Available)

(1) Control Method: TTL

Model	Size(mm)	Diameter (mm)	LED Qty. (piece)	Control Method	IP Rating	Pixel Qty. (piece)	LED Color	Power (Watt)	Voltage (V)
ST-TTL-36	500	30/40/50	36	TTL	IP20/IP65	6/12	RGB	8	DC12/24
ST-TTL-72	1000	30/40/50	72	TTL	IP20/IP65	12/24	RGB	16	DC12/24
ST-TTL-108	1500	30/40/50	108	TTL	IP20/IP65	18/36	RGB	24	DC12/24
ST-TTL-144	2000	30/40/50	144	TTL	IP20/IP65	24/48	RGB	32	DC12/24

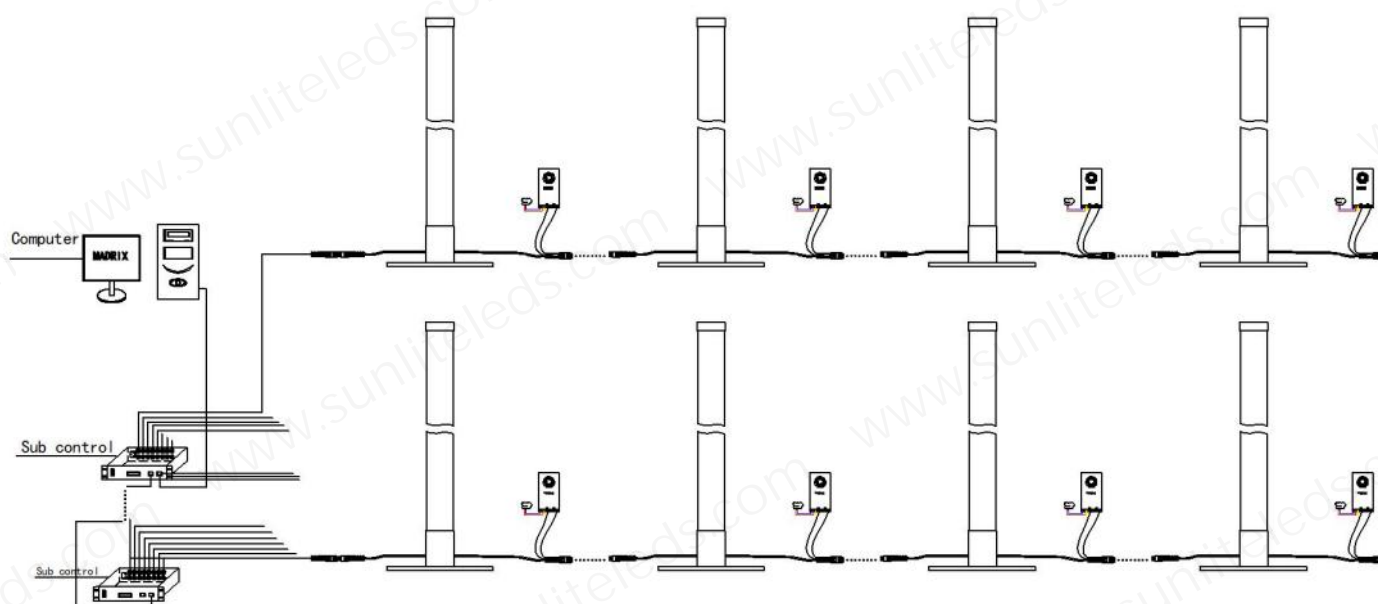
(2) Control Method: DMX512

Model	Size (mm)	Diameter (mm)	LED Qty. (piece)	Control Method	IP Rating	Pixel Qty. (piece)	LED Color	Power (Watt)	Voltage (V)
ST-DMX-36	500	30/40/50	36	DMX512	IP20/IP65	6/12	RGB/RGBW	8	DC12/24
ST-DMX-72	1000	30/40/50	72	DMX512	IP20/IP65	12/24	RGB/RGBW	16	DC12/24
ST-DMX-108	1500	30/40/50	108	DMX512	IP20/IP65	18/36	RGB/RGBW	18	DC12/24
ST-DMX-144	2000	30/40/50	144	DMX512	IP20/IP65	24/48	RGB/RGBW	24	DC12/24

5、 Control Diagram and Installation Diagram

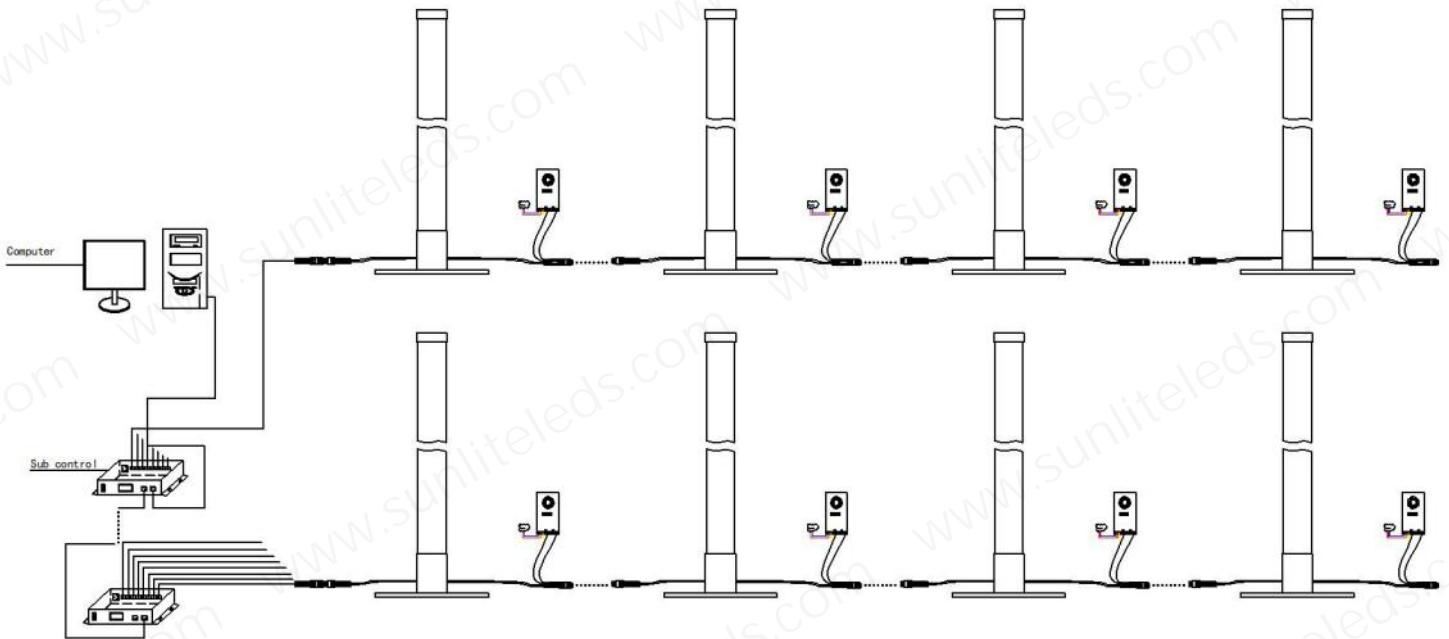
(1) Madrix Control

Recommended controller: T790K, YC3000



(2) Online Control By Computer

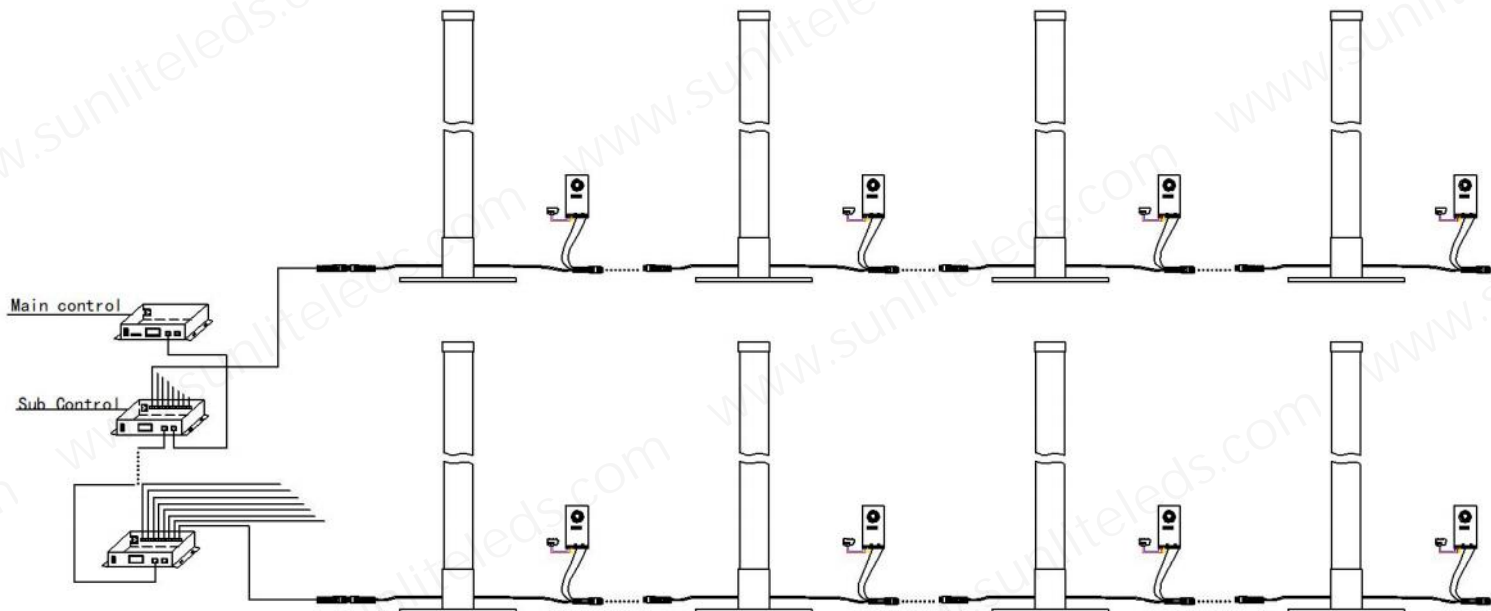
Recommended controller: T-790K



(3) Main control + sub control (Big project)

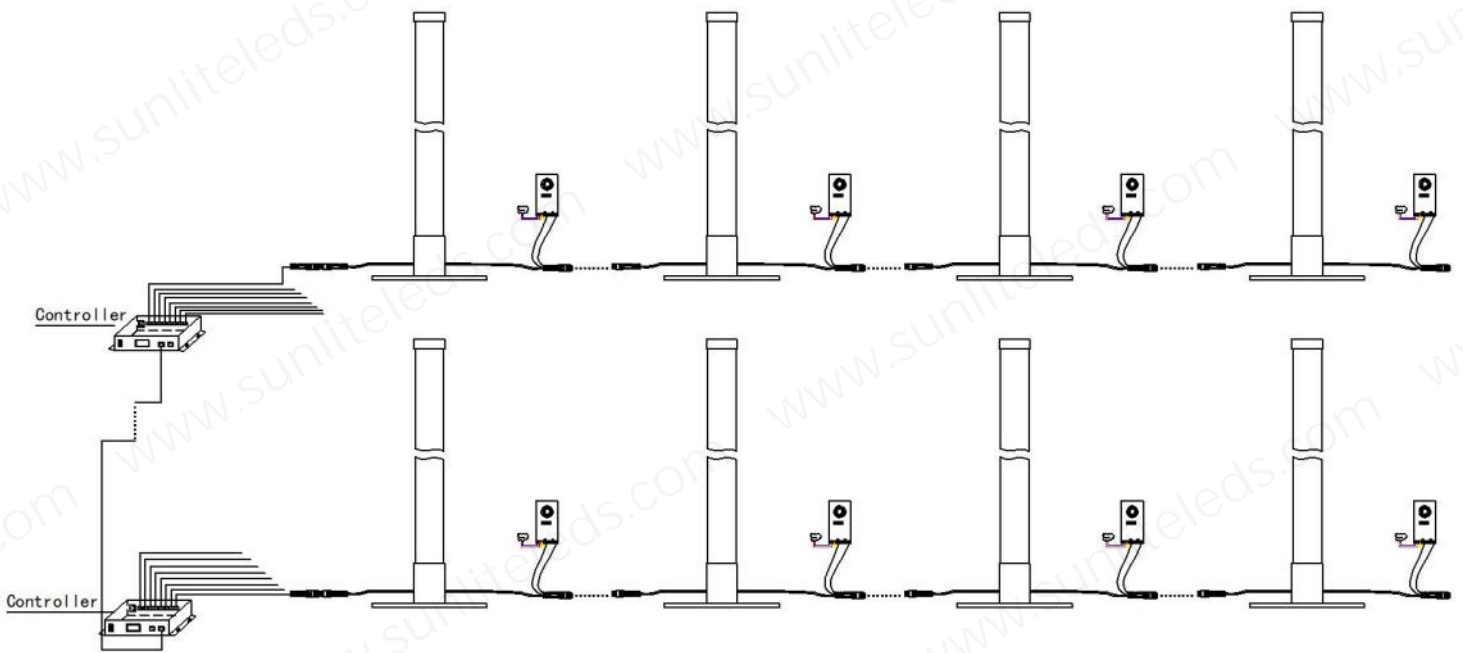
Recommended controller: Main controller: XB-Z2/MR-BF12B,

Sub controller :T-780K/MR-218DW



(4) Built-in program Auto loop playback (Small project)

Recommended controller: K-8000C, K-1000C



6、Accessories

Non-waterproof Cable & JST Connector



2-PIN

3-PIN

4-PIN

5-PIN



male and female connection

Waterproof TTL and DMX Cable Connector



7、 Installation Notes

- (1) Please read the manual in detail before installation.
- (2) Before installation, make sure that the working voltage of the LED rainbow tube light matches the output voltage of the switching power supply you purchased.
- (3) When installing, pay attention to the wiring label of the lamp. The red wire is connected to "positive (+)", the black wire is connected to "negative (-)", and other colors are detailed on the wiring label of the lamp. The wiring must be powered off during installation.
- (4) It is strictly forbidden to cut off the male and female head wires with electricity, so as not to burn out the lamps in the short-circuit.
- (5) LED rainbow tube light with control must comply with the male in and female out, and the direction of the signal must be connected in series when connecting the lamps.
- (6) This lamp is forbidden to be disassembled without permission, if it is disassembled without permission, our company will not bear the warranty.

8、 Simple troubleshooting

- (1) When the lamp does not turn on when it is powered on: check whether the switching power supply has a working output voltage, or whether the working voltage of the switching power supply is normal.
- (2) After the switch power supply works normally, the lamp still does not light up: check whether the signal line of the lamp is connected incorrectly or whether the connection is normal, and check whether the controller

works normally and whether it has been powered on.

(3)The above work is normal, but the lamp still does not light up: check whether the SD card of the controller has been inserted, and whether there is a program in the SD card.

(4)The lamp jumps or flickers: Check whether the negative pole of the lamp is connected in parallel with the negative pole of the switching power supply including the GND of the controller.

(5)If the above inspection is completed, it is still out of control, please contact our sales staff to deal with it.